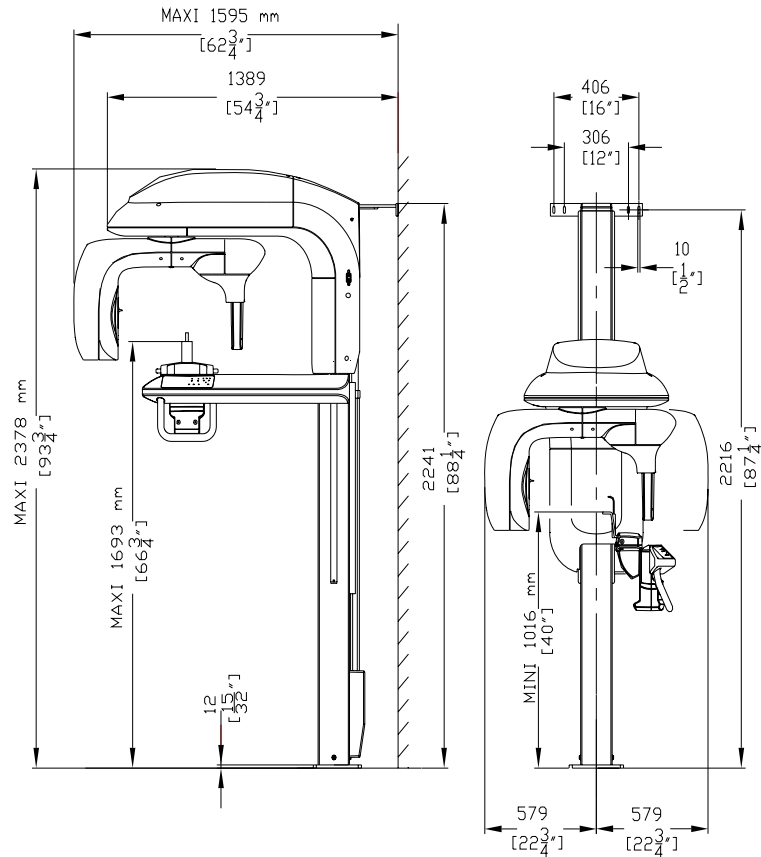


Unit Dimensions



The Unit dimensions illustrated in the above figure are as follows:

- Maximum height of the Unit (2378mm)
- Minimum (1016mm) and maximum (1693mm) height of the chin rest
- Width (1158mm) and depth (1595mm) of the Unit
- Dimensions of the column and attaching parts



WARNING

If you need to add a base plate you must add 15mm to the height of the Unit.

